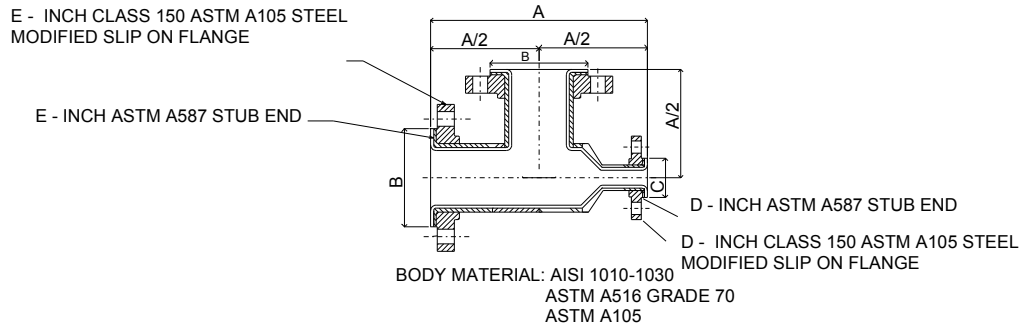


REDUCING TEES(reduction on the run)

This style Reducing Tee can eliminate the need for a Concentric Reducer or Reducing Filler flange. This is more cost effective and works well in areas where there is not a lot of room. Call for availability of sizes not listed.



SIZE	A	B	C	D	E
11/2 x 1 x 11/2	8.00	2.88	2.00	1	11/2
2 x 1 x 2	9.00	3.63	2.00	1	2
2 x 11/2 x 2	9.00	3.63	2.88	11/2	2
3 x 1 x 3	11.00	5.00	2.00	1	3
3 x 11/2 x 3	11.00	5.00	2.88	11/2	3
3 x 2 x 3	11.00	5.00	3.63	2	3
4 x 1 x 4	13.00	6.19	2.00	1	4
4 x 11/2 x 4	13.00	6.19	2.88	11/2	4
4 x 2 x 4	13.00	6.19	3.63	2	4
4 x 3 x 4	13.00	6.19	5.00	3	4
6 x 4 x 6	16.00	8.50	6.19	1	6
6 x 3 x 6	16.00	8.50	5.00	11/2	6