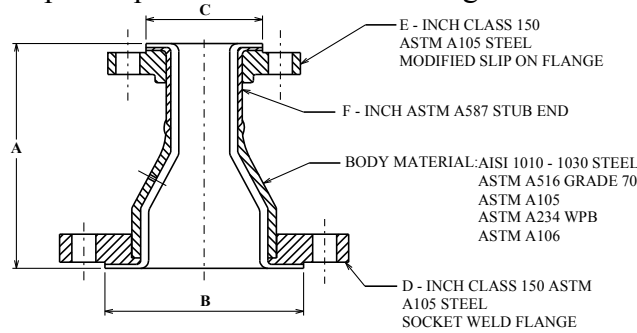


CONCENTRIC REDUCERS

PTFE Lined Concentric Reducers are produced with a free sintered liner and rotatable flange on the small end except where noted. Standard shapes are carbon steel with stainless steel available upon request. PP and PVDF lining also available.



Standard 300# Concentric Reducers have Same A Dimension.
Special Lengths available upon request

SIZE	A	B	C	D	E	F	PTFE	PP	PVDF
1 X 1/2	4.5	2.0	1.75	1	1/2	N/A ¹	X	X	X
1 X 3/4	4.5	2.0	1.75	1	3/4	N/A ¹	X	X	X
1 1/2 X 1	4.5	2.88	2.00	1 1/2	1	1	X	X	X
2 X 1	5.0	3.63	2.00	2	1	1	X	X	X
2 X 1 1/2	5.0	3.63	2.88	2	1 1/2	1 1/2	X	X	X
2 1/2 X 1	5.5	4.125	2.00	2 1/2	1	1	X	X	X
2 1/2 X 1 1/2	5.5	4.125	2.88	2 1/2	1 1/2	1 1/2	X	X	X
2 1/2 X 2	5.5	4.125	3.63	2 1/2	2	2	X	X	X
3 X 1	6.0	5.0	2.00	3	1	1	X	X	X
3 X 1 1/2	6.0	5.0	2.88	3	1 1/2	1 1/2	X	X	X
3 X 2	6.0	5.0	3.63	3	2	2	X	X	X
4 X 1	7.0	6.19	2.00	4	1	1	X	X	X
4 X 1 1/2	7.0	6.19	2.88	4	1 1/2	1 1/2	X	X	X
4 X 2	7.0	6.19	3.63	4	2	2	X	X	X
4 X 3	7.0	6.19	5.00	4	3	3	X	X	X
6 X 1	9.0	8.5	2.00	6	1	1	X	X	X
6 X 1 1/2	9.0	8.5	2.88	6	1 1/2	1 1/2	X	X	X
6 X 2	9.0	8.5	3.63	6	2	2	X	X	X
6 X 3	9.0	8.5	5.00	6	3	3	X	X	X
6 X 4	9.0	8.5	6.19	6	4	4	X	X	X
8 X 2	11	10.2	3.63	8	2	2	X		
8 X 3	11.0	10.62	5.00	8	3	3	X		
8 X 4	11.0	10.62	6.19	8	4	4	X		
8 X 6	11.0	10.62	8.50	8	6	6	X		
10 X 8	12.0	12.25	10.62	10	8	8	X		
10 X 6	12.0	12.25	8.50	10	6	6	X		
10 X 4	12.0	12.25	6.19	10	4	4	X		
12 X 10	14.0	15.5	12.25	12	10	10	X		
12 X 8	14.0	15.5	10.62	12	8	8	X		
12 X 6	14.0	15.5	8.5	12	6	6	X		

¹ SLIP ON FLANGES WELDED SOLID TO BODY