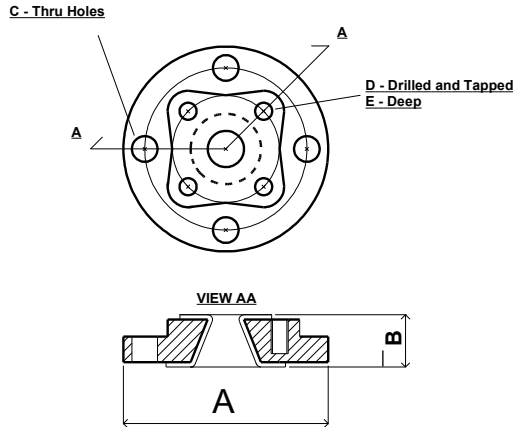


SCALLOPED REDUCING FILLER FLANGES

PTFE Lined Scalloped reducing filler flanges are produced with a free sintered liner. Carbon Steel and Stainless Steel available. **PP and PVDF also available.**



SIZE	A	B	C	D	E	HOLE ROTATION	PTFE	PP	PVDF
1 1/2X1	5.00	1-1/2	5/8	1/2-13	.75	45	X	X	X
2X1	6.00	1-1/2	3/4	1/2-13	.75	45	X	X	X
2X1 1/2	6.00	1-1/2	3/4	1/2-13	1.0	45	X	X	X
3X1	7.5	1-1/2	3/4	1/2-13	1.0	45	X	X	X
3X1 1/2	7.5	1-1/2	3/4	1/2-13	1.0	45	X	X	X
3X2	7.5	1-1/2	3/4	5/8-11	1.0	45	X	X	X
4X1	9.0	1-1/2	3/4	1/2-13	.75	0	X	X	X
4X1 1/2	9.0	1-1/2	3/4	1/2-13	.75	0	X	X	X
4X2	9.0	1-1/2	3/4	5/8-11	1.0	0	X	X	X
4X3	9.0	1-1/2	3/4	5/8-11	1.0	0	X	X	X
6X1	9.0	1-5/8	7/8	1/2-13	.63	0	X	X	X
6X1 1/2	11.0	1-5/8	7/8	1/2-13	.63	0	X	X	X
6X2	11.0	1-5/8	7/8	5/8-11	.75	0	X	X	X
6X3	11.0	1-5/8	7/8	5/8-11	.75	0	X	X	X
6X4	11.0	1-5/8	7/8	5/8-11	.75	45	X	X	X
8X6	13.5	2	7/8	3/4-10	0.56	22.5	X		
10X8	16	2	1	3/4-10	0.75	0	X		

Larger sizes may be available upon request.