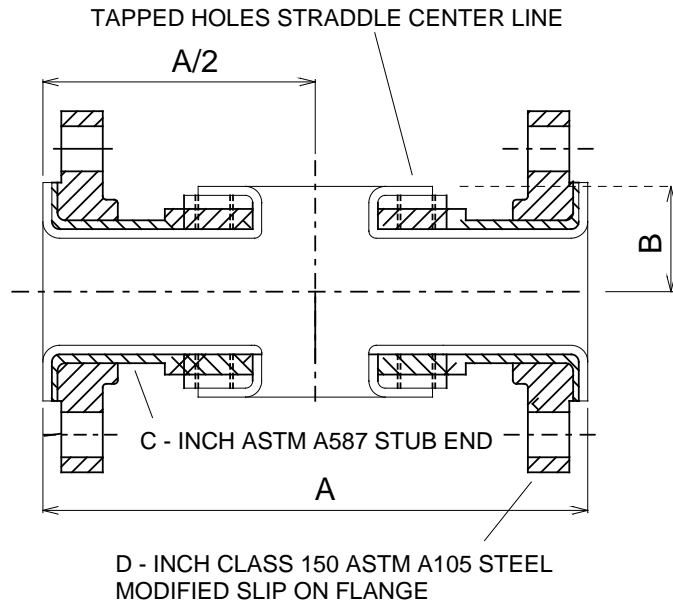


**SHORT STACK CROSSES**

PTFE Lined Short Stack Crosses are produced with a free sintered liner and rotatable flanges. Standard shapes are carbon steel with stainless steel available upon request Also available are Short Stack Reducing Crosses in various sizes. PP and PVDF lined also available



BODY MATERIAL AISI 1010 -1030 STEEL  
 ASTM A516 GRADE 70  
 ASTM 105

SIZE	A	B	C	D	PTFE	PP	PVDF
1	7.00	1 ¼	1	1	X	X	X
1 ½	8.00	1 ½	1 ½	1 ½	X	X	X
2	9.00	1 ¾	2	2	X	X	X
3	11.00	2 ¾	3	3	X	X	
4	13.00	3 ¼	4	4	X		
6	16.00		6	6	X		