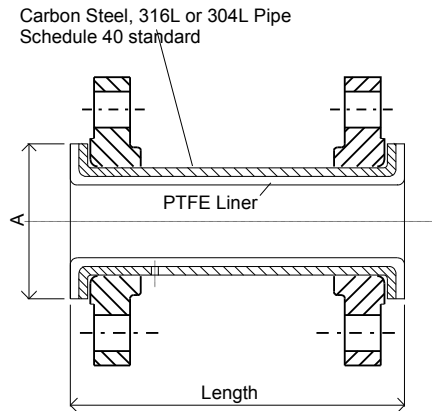


Pipe Spools(PTFE Lined)

PTFE Lined Pipe Spools are lined with a paste extruded liner. Pipe is A587, A106, or a53. Flanges are A105. Standard shapes are carbon steel with stainless steel available upon request. Standard spools come with two rotating flanges. Fixed flanges also available upon request.



Size	A (inches)	Minimum length
1	2	3.5
1-1/2	2-7/8	3.5
2	3-5/8	3.5
3	5	4
4	6-3/16	4.5
6	8-3/8	5.5
8	10-1/2	6.5
10	12.25	6.5
12	15.5	6.5