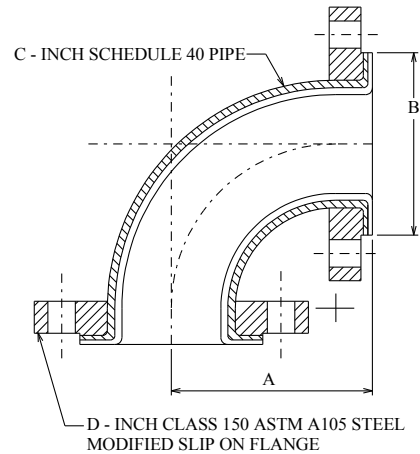


90 DEGREE ELBOWS

PTFE Lined 90 Degree Elbows are produced with a free sintered liner and rotatable flanges. Standard shapes are carbon steel with stainless steel available upon request. Reducing 90 Degrees elbows and 300# elbows are also available.

PP and PVDF Lined 90 degree elbows are also available



Size	150# A	300# A	B	C	D	PTFE	PP	PVDF
1/2	3.50	4.00	1.75	1/2	1/2	X	X	X
3/4	3.50	4.00	1.75	3/4	3/4	X	X	X
1	3.50	4.00	2.00	1	1	X	X	X
1-1/2	4.00	4.5	2.88	1-1/2	1-1/2	X	X	X
2	4.5	5.0	3.63	2	2	X	X	X
2-1/2	5.0	5.5	4.13	2-1/2	2-1/2	X		
3	5.50	6.0	5.00	3	3	X	X	X
4	6.50	7.0	6.19	4	4	X	X	X
6	8.00	8.5	8.50	6	6	X		
8	9.00	10.0	10.50	8	8	X		
10	11.00	NA	12.50	10	10	X		

300# flanges are also available on 150# dimension elbows.