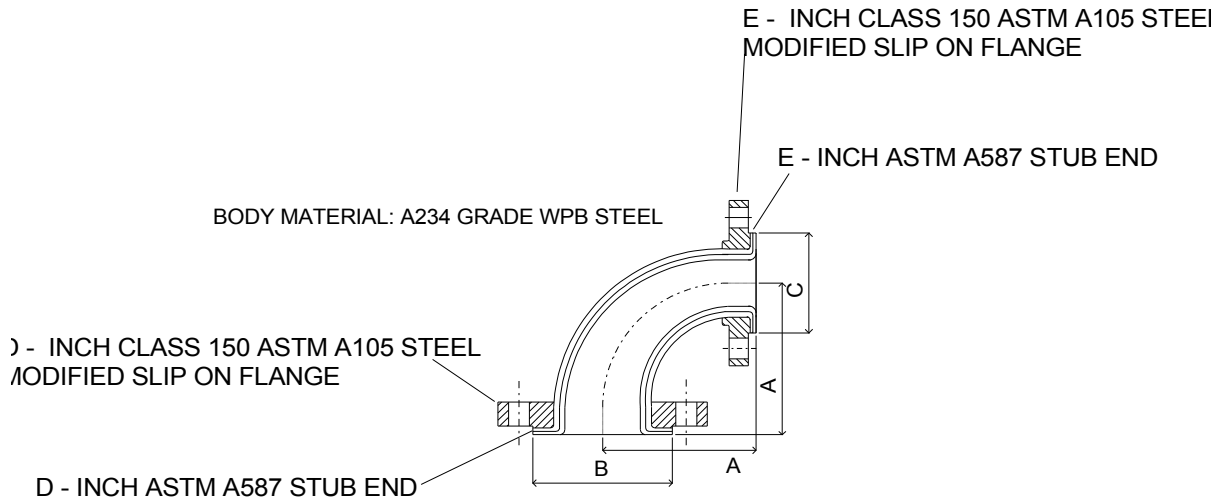


Reducing 90 Degree Elbows

PTFE Lined reducing elbows are currently available in 7 sizes. These fittings have rotatable flanges¹ and a free sintered liner. Stainless steel is also available.



Size	A	B	C	D	E	PTFE	PP	PVDF
1 1/2 x 1	4.00	2.88	2.00	1 1/2	1	X	X	X
2 x 1	4.5	3.63	2.00	2	1	X	X	X
2 x 1 1/2	4.5	3.63	2.88	2	1 1/2	X	X	X
3 x 2	5.5	5.00	3.63	3	2	X	X	X
4 x 2	6.5	6.19	3.63	4	2	X		
4 x 3	6.5	6.19	5.00	4	3	X	X	X
6 x 4	8	8.5	6.19	6	4	X		

¹6 x 4's are Cast Steel and have fixed flanges.

4 x 2's have a rotating flange on the 4" End and a fixed flange on the 2" End