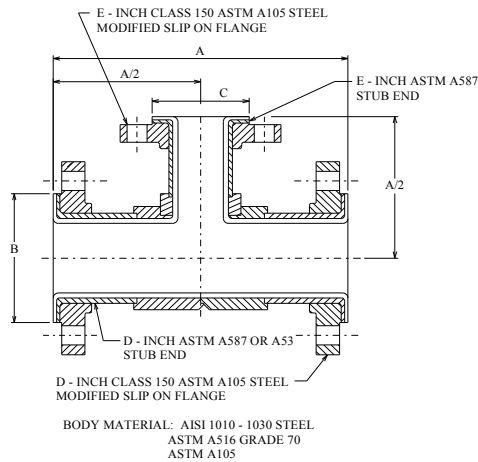


REDUCING TEES

PTFE Lined Reducing Tees are produced with a free sintered liner and rotatable flanges. Standard shapes are carbon steel with stainless steel available upon request. 300# fittings available.

PP and PVDF lining is also available

1/2" and 3/4" reduction also available on the outlet



SIZE	A	B	C	D	E	PTFE	PP	PVDF
11/2 x 11/2 x 1	8.00	2.88	2.00	1 1/2	1	X	X	X
2 x 2 x 1	9.00	3.63	2.00	2	1	X	X	X
2 x 2 x 1 1/2	9.00	3.63	2.88	2	1 1/2	X	X	X
3 x 3 x 1	11.00	5.00	2.00	3	1	X	X	X
3 x 3 x 1 1/2	11.00	5.00	2.88	3	1 1/2	X	X	X
3 x 3 x 2	11.00	5.00	3.63	3	2	X	X	X
4 x 4 x 1	13.00	6.19	2.00	4	1	X	X	X
4 x 4 x 1 1/2	13.00	6.19	2.88	4	1 1/2	X	X	X
4 x 4 x 2	13.00	6.19	3.63	4	2	X	X	X
4 x 4 x 3	13.00	6.19	5.00	4	3	X	X	X
6 x 6 x 1	16.00	8.50	2.00	6	1	X		
6 x 6 x 1 1/2	16.00	8.50	2.88	6	1 1/2	X		
6 x 6 x 2	16.00	8.50	3.63	6	2	X		
6 x 6 x 3	16.00	8.50	5.00	6	3	X		
6 x 6 x 4	16.00	8.50	6.19	6	4	X		
8 x 8 x 6	18.00	10.62	8.50	8	6	X		
8 x 8 x 4	18.00	10.62	6.19	8	4	X		
8 x 8 x 3	18.00	10.62	5.00	8	3	X		
8 x 8 x 2	18.00	10.62	3.63	8	2	X		
8 x 8 x 1	18.00	10.62	2.00	8	1	X		
10 x 10 x 8	22	12.5	10.63	10	8	X		
10 x 10 x 6	22	12.5	8.5	10	6	X		
10 x 10 x 4	22	12.5	6.19	10	4	X		

