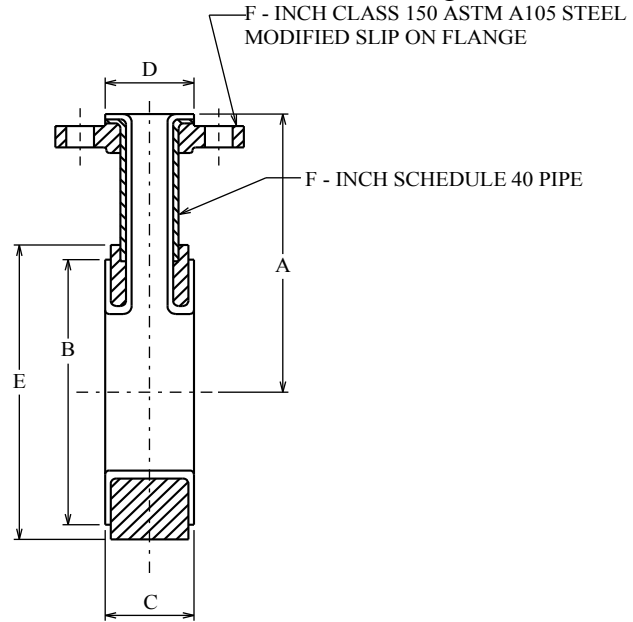


INSTRUMENT TEES

PTFE Lined Instrument tees are produced with a free sintered liner and a split body. All have a rotatable flange on the outlet. Standard shapes are carbon steel with stainless steel available upon request. 300# fittings available as well as PP and PVDF lining.



BODY MATERIAL: AISI 1010 - 1030 STEEL
ASTM A516 GRADE 70
ASTM A105

1/2 and 3/4 outlets have same dimensions as 1" outlets

1 - INCH OUTLET						
SIZE	A	B	C	D	E	F
1	3.50	2.00	2.00	2.00	2.63	1
1 1/2	4.00	2.88	2.00	2.00	3.38	1
2	4.50	3.63	2.00	2.00	4.13	1
3	5.50	5.00	2.00	2.00	5.38	1
4	6.50	6.19	2.00	2.00	6.88	1
6	8.00	8.50	2.00	2.00	8.75	1
8	9.00	10.25	2.00	2.00	11.00	1
10x1	11	12.75	2.00	2.00	13.14	1

1 1/2 - INCH OUTLET						
SIZE	A	B	C	D	E	F
1 1/2	4.00	2.88	4.00	2.88	3.38	1 1/2
2	4.50	3.63	4.00	2.88	4.13	1 1/2
3	5.50	5.00	4.00	2.88	5.38	1 1/2
4	6.50	6.19	4.00	2.88	6.88	1 1/2
6	8.00	8.50	4.00	2.88	8.75	1 1/2
8	9.00	10.25	4.00	2.88	11.00	1 1/2

2 - INCH OUTLET						
SIZE	A	B	C	D	E	F
2	4.50	3.63	4.00	3.63	4.13	2
3	5.50	5.00	4.00	3.63	5.38	2
4	6.50	6.19	4.00	3.63	6.88	2
6	8.00	8.50	4.00	3.63	8.75	2
8	9.00	10.25	4.00	3.63	11.00	2

8 X 3 and 10x1 also available