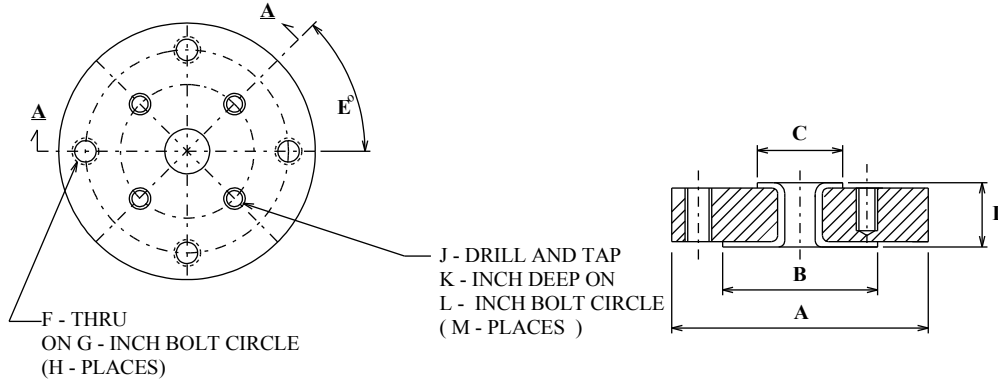


STRAIGHT BORE REDUCING FILLER FLANGE 150#

PTFE Lined Reducing Filler Flanges are produced with a free sintered liner. Standard shapes are carbon steel with stainless steel available upon request. 300# also available. **PP and PVDF also available.**



Other Special Sizes Available Not Listed

SIZE	A	B	C	D	E	F	G	H	J	K	L	M	PTFE	PP	PVDF
1 X 1/2	4.25	2.00	1.75	1.50	45	1/2-13	3.13	4	1/2-13	0.75	2.38	4	X	X	X
1 X 3/4	4.25	2.00	1.75	1.50	45	1/2-13	3.13	4	1/2-13	0.75	2.75	4	X	X	X
1 1/2 X 1	5.00	2.88	2.00	1.50	45	1/2-13	3.88	4	1/2-13	1.00	3.13	4	X	X	X
2 X 1	6.00	3.63	2.00	1.50	0	5/8-11	4.75	4	1/2-13	1.00	3.13	4	X	X	X
2 X 1 1/2	6.00	3.63	2.88	1.63	45	5/8-11	4.75	4	1/2-13	1.00	3.88	4	X	X	X
3 X 1	7.50	5.00	2.00	1.63	0	5/8-11	6.00	4	1/2-13	1.00	3.13	4	X	X	X
3 X 1 1/2	7.50	5.00	2.88	1.63	0	5/8-11	6.00	4	1/2-13	1.00	3.88	4	X	X	X
3 X 2	7.50	5.00	3.63	1.63	45	5/8-11	6.00	4	5/8-11	1.00	4.75	4	X	X	X
4 X 1	9.00	6.19	2.00	1.75	0	3/4	7.50	8	1/2-13	0.75	3.13	4	X	X	X
4 X 1 1/2	9.00	6.19	2.88	1.75	0	3/4	7.50	8	1/2-13	0.75	3.88	4	X	X	X
4 X 2	9.00	6.19	3.63	1.63	0	3/4	7.50	8	5/8-11	1.00	4.75	4	X	X	X
4 X 3	9.00	6.19	5.00	1.63	0	5/8-11	7.50	8	5/8-11	1.00	6.00	4	X	X	X
6 X 1	11.00	8.50	2.00	2.13	0	7/8	9.50	8	1/2-13	0.63	3.13	4	X	X	
6 X 1 1/2	11.00	8.50	2.88	2.13	0	7/8	9.50	8	1/2-13	0.63	3.88	4	X	X	
6 X 2	11	8.5	3.63	2.13	0	7/8	9.5	8	5/8-11	0.75	4.75	4	X	X	
6 X 3	11	8.5	5	2.13	0	7/8	9.5	8	5/8-11	0.75	6	4	X	X	
6 X 4	11	8.5	6.19	1.63	0	3/4-10	9.5	8	5/8-11	0.75	7.5	8	X	X	
8 X 2	13.5	10.62	3.63	2.13	0	7/8	11.75	8	5/8-11	0.75	4.75	4	X		
8 X 3	13.5	10.62	5	2.13	0	7/8	11.75	8	5/8-11	0.812	6	4	X		
8 X 4	13.5	10.62	6.19	2.13	0	7/8	11.75	8	5/8-11	0.75	7.5	8	X		
8 X 6	13.5	10.62	8.5	1.63	0	3/4-10	11.75	8	3/4-10	0.812	9.5	8	X		

¹ Thickness of all sizes may be adjusted to your needs