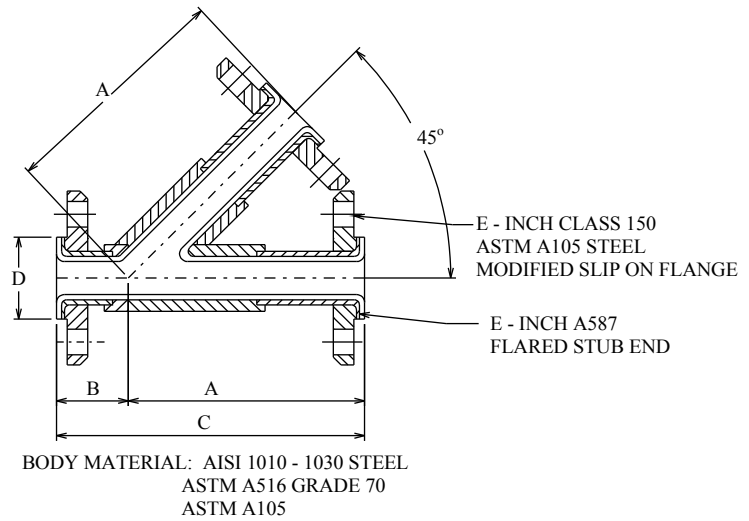


LATERALS

PTFE Lined Laterals are produced with a free sintered liner and rotatable flanges. Standard shapes are carbon steel with stainless steel available upon request. **PP and PVDF also available.**



Reducing Laterals are also available

| SIZE | A | B | C | D | E | PTFE | PP | PVDF |
|-------------|--------------|-------------|--------------|-------------|------------|-------------|-----------|-------------|
| 1 | 5.75 | 1.75 | 7.50 | 2.00 | 1 | X | X | X |
| 1 ½ | 7.00 | 2.00 | 9.00 | 2.88 | 1 ½ | X | X | X |
| 2 | 8.00 | 2.50 | 10.50 | 3.63 | 2 | X | X | X |
| 3 | 10.00 | 3.00 | 13.00 | 5.00 | 3 | X | X | X |
| 4 | 12.00 | 3.00 | 15.00 | 6.19 | 4 | X | | |
| 6 | 14.50 | 3.50 | 18.00 | 8.00 | 6 | X | | |