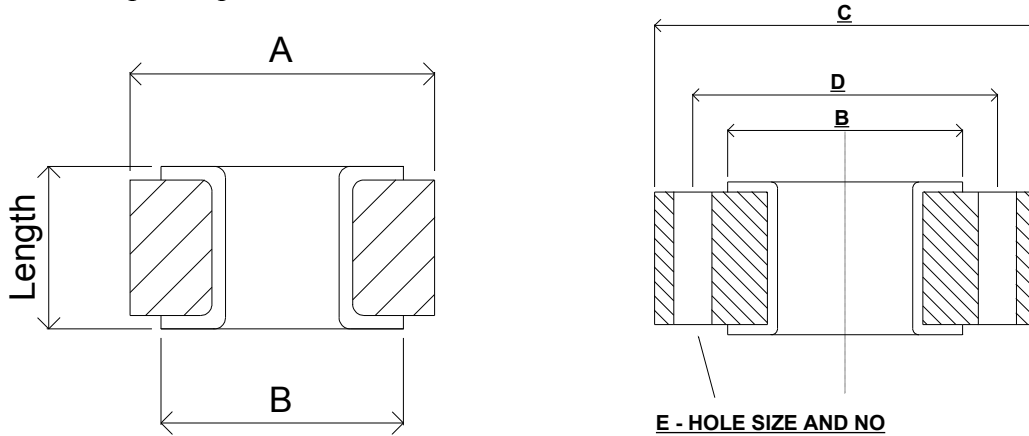


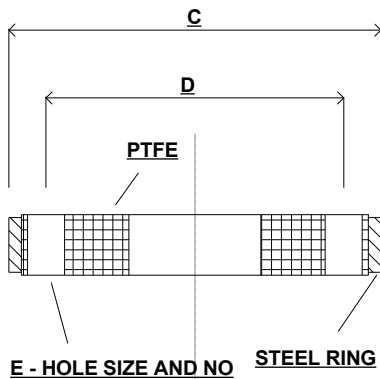
Spacers(PTFE Lined)

PTFE Lined Armored Spacers are produced with a free sintered liner. Body material is A105, A516, or SAE 1010-1013. Standard shapes are carbon steel with stainless steel available upon request.



Size	A	B	C	D(BOLT CIRC LE DIA)	E	
					NO	SIZE
1	2.5	1.875	4.25	3.125	4	5/8
1-1/2	3.75	2.687	5	3.875	4	5/8
2	4.125	3.437	6	4.75	4	3/4
3	5.375	4.625	7.5	6	4	3/4
4	6.875	5.937	9	7.5	8	3/4
6	8.75	8	11	9.5	8	7/8
8	11	10.062	13.5	11.75	8	7/8
10	13.38	12.25	16	14.25	12	1

Armored Spacers Full Face



Standard

