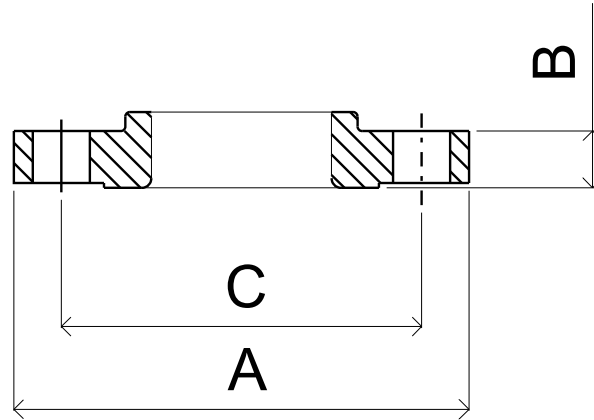


Flange Dimensions



150# Flange Dimensions

Size	A(OD)	B(Thickness)	C(Bolt Circle Diameter)	Dia.of bolt holes	No of bolt holes
1/2"	3.50	.437	2.375	.62	4
3/4"	3.875	.50	2.75	.62	4
1"	4.25	.562	3.125	.62	4
1-1/2"	5	.687	3.875	.62	4
2"	6	.75	4.75	.75	4
2-1/2"	7	.875	5.5	.75	4
3"	7.5	.937	6	.75	4
4"	9	.937	7.5	.75	8
6"	11	1	9.5	.88	8
8"	13.5	1.125	11.75	.88	8
10"	16	1.187	14.25	1.00	12
12"	19	1.25	17	1	12

300# Flange Dimensions

Size	A(OD)	B(Thickness)	C(Bolt Circle Diameter)	Dia.of bolt holes	No of bolt holes
1/2"	3.75	.562	2.625	.62	4
3/4"	4.625	.625	3.25	.75	4
1"	4.875	.687	3.5	.75	4
1-1/2"	6.125	.812	4.5	.875	4
2"	6.5	.875	5	.75	8
2-1/2"	7.5	1	5.875	.875	8
3"	8.25	1.125	6.625	.875	8
4"	10	1.25	7.875	.875	8
6"	12.5	1.437	10.625	.875	12
8"	15	1.625	13	1	12
10"	17.5	1.875	15.25	1.125	16

